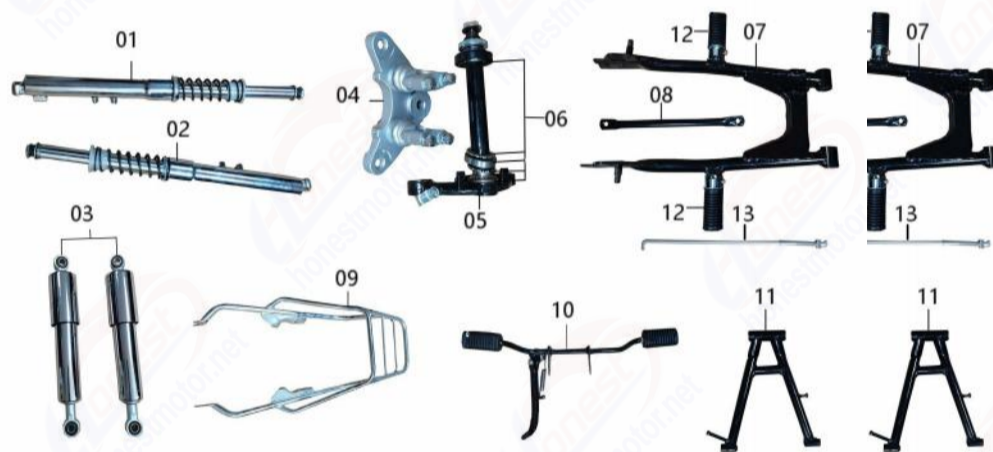


# HONEST MOTOR HN100-3X PARTS CATALOGUE



HN100-3X减震器.脚蹬.铁件H01

H01



REF	HONEST CODE	中文名称	DESCRIPTION	QTY/UNIT	REMARK
H01-01	H130091N0ESDT3X	左前减震器	FR.L SHOCKABSORBER	1	
H01-02	H110031N0ESBT3X	右前减震器	FR.R SHOCKABSORBER	1	
H01-03	H110031N0ESJT3X	后减震器	RR SHOCK ABSORBER	1	
H01-04	H110051N0ESJT3X	方向上连接板	UPPER PLATE,STEERING STEM	1	
H01-05	H130051N0ESRT3X	方向柱	STEERING STEM	1	
H01-06	H120041N0ESAT3X	方向轴承	STEERING BEARINGS	1	
H01-07	H120041N0ESIT3X	后平叉	REAR FORK	1	
H01-08	H120061N0ESIT3X	后制动器限位杆	REAR BRAKE LIMIT ROD	1	
H01-09	H140061N0ESQT3X	后货架	REAR CARRIER	1	
H01-10	H140061N0ESAT3X	侧支架总成(带侧支架, 搁脚胶, 弹簧)	SIDE STAND ASSY	1	
H01-11	H140061N0ESIT3X	主支架	MAIN STAND	1	
H01-12	H140081N0ESIT3X	后脚蹬	REAR FOOTREST	2	
H01-13	H130071N0ESDT3X	后刹拉杆	REAR BRAKE ROD	1	

## HN100-3X油箱烤漆件塑料件H02

## H02



REF	HONEST CODE	中文名称	DESCRIPTION	QTY/UNIT	REMARK
HO2-01	H120042N0ESBT3X	油箱	FUEL TANK	1	
HO2-02	H130052N0ESXT3X	左侧盖	L SIDE COVER	1	
HO2-03	H130052N0ESHT3X	右侧盖	R SIDE COVER	1	
HO2-04	H130052N0ESHT3X	尾罩	TAIL COVER	1	
HO2-05	H150072N0ESPT3X	尾罩下盖板	TAIL COVER 2	1	
HO2-06	H150072N0ESWT3X	大灯支架左	L HEADLIGHT BRACKET	1	
HO2-07	H140062N0ESGT3X	大灯支架右	R HEADLIGHT BRACKET	1	
HO2-08	H140062N0ESGT3X	前减震装饰筒	DECORATION,FR DAMPER	2	
HO2-09	H160082N0ESOT3X	链盒	CHAIN BOX	1	
HO2-10	H160082N0ESWT3X	机油壶总成	OIL JAG	1	
HO2-11	H100012N0ESIT3X	油开关	FUEL SWITCH	1	

## HN100-3X主线, 电器, 开关, 电池, H03

## H03



REF	HONEST CODE	中文名称	DESCRIPTION	QTY/UNIT	REMARK
H03-01	H160023N0ESBT3X	主线缆	HARNESS	1	
H03-02	H140063N0ESOT3X	点火线圈	IGNITION COIL	1	
H03-03	H140063N0ESWT3X	调压器	REGULATOR	1	
H03-04	H140063N0ESGT3X	闪光器	FLASHER	1	
H03-05	H140063N0ESOT3X	喇叭	HORN	1	
H03-06	H160083N0ESOT3X	方向锁	STEERING LOCK	1	
H03-07	H160083N0ESWT3X	油箱锁	FUEL TANK LOCK	1	
H03-08	H160083N0ESGT3X	点火开关锁	IGNITION LOCK	1	
H03-09	H160083N0ESOT3X	钥匙	KEYS	1	
H03-10	H180003N0ESNT3X	左闸把开关总成	L SWITCHES	1	
H03-11	H170093N0ESVT3X	右闸把开关总成	R SWITCHES	1	
H03-12	H170093N0ESFT3X	电池	BATTERY	1	

## HN100-3X灯具仪表H04

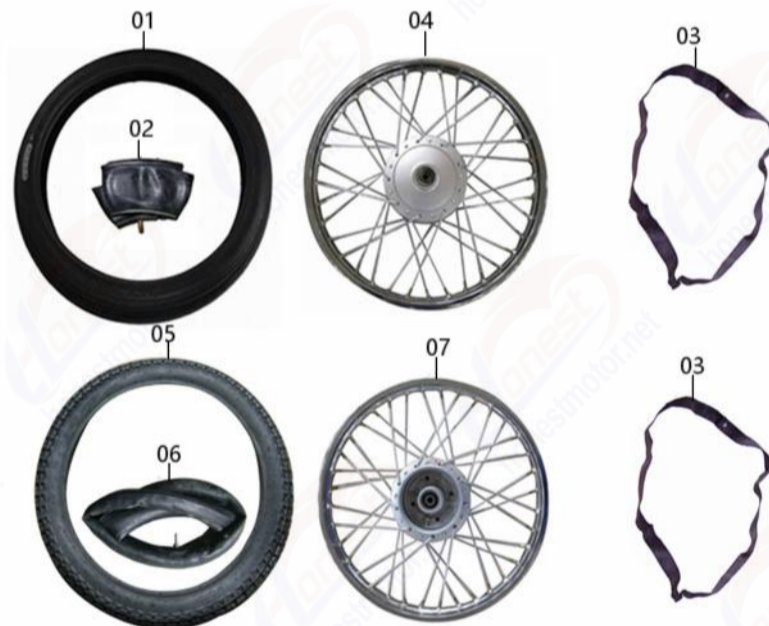
## H04



REF	HONEST CODE	中文名称	DESCRIPTION	QTY/UNIT	REMARK
H04-01	H140004N0ESOT3X	大灯	HEADLIGHT	1	
H04-02	H100024N0ESET3X	仪表	METER	1	
H04-03	H100024N0ESMT3X	前左转向灯	L FR.TURNING LIGHT	1	
H04-04	H190014N0ESTT3X	前右转向灯	R FR.TURNING LIGHT	1	
H04-05	H190014N0ESDT3X	后左转向灯	L RR.TURNING LIGHT	1	
H04-06	H110034N0ESDT3X	后右转向灯	R RR.TURNING LIGHT	1	
H04-07	H110034N0ESLT3X	尾灯	TAIL LIGHT	1	

## HN100-3X前后轮胎轮辋H05

## H05



REF	HONEST CODE	中文名称	DESCRIPTION	QTY/UNIT	REMARK
H05-01	H130095N0ESFT3X	前轮外胎	FR TIRE	1	
H05-02	H110035N0ESTT3X	前轮内胎	FR TUBE	1	
H05-03	H110035N0ESCT3X	垫带	TIRE BUSH	2	
H05-04	H100025N0ESKT3X	前轮轮辋	FR WHEEL	1	
H05-05	H100025N0ESST3X	后轮外胎	RR TIRE	1	
H05-06	H120045N0ESST3X	后轮内胎	RR TUBE	1	
H05-07	H120045N0ESCT3X	后轮轮辋	RR WHEEL	1	

## HN100-3X制动器, 链盘, 链条, 缓冲体H06

## H06



REF	HONEST CODE	中文名称	DESCRIPTION	QTY/UNIT	REMARK
H06-01	H150086N0ESTT3X	前制动器	FR.BRAKE ASSY	1	
H06-02	H190016N0ESRT3X	后制动器	RR.BRAKE ASSY	1	
H06-03	H190016N0ESAT3X	链盘	CHAIN WHEEL	1	
H06-04	H180006N0ESAT3X	缓冲体	CHAIN WHEEL SUPPORT	1	
H06-05	H100026N0ESIT3X	链条	CHAIN	1	

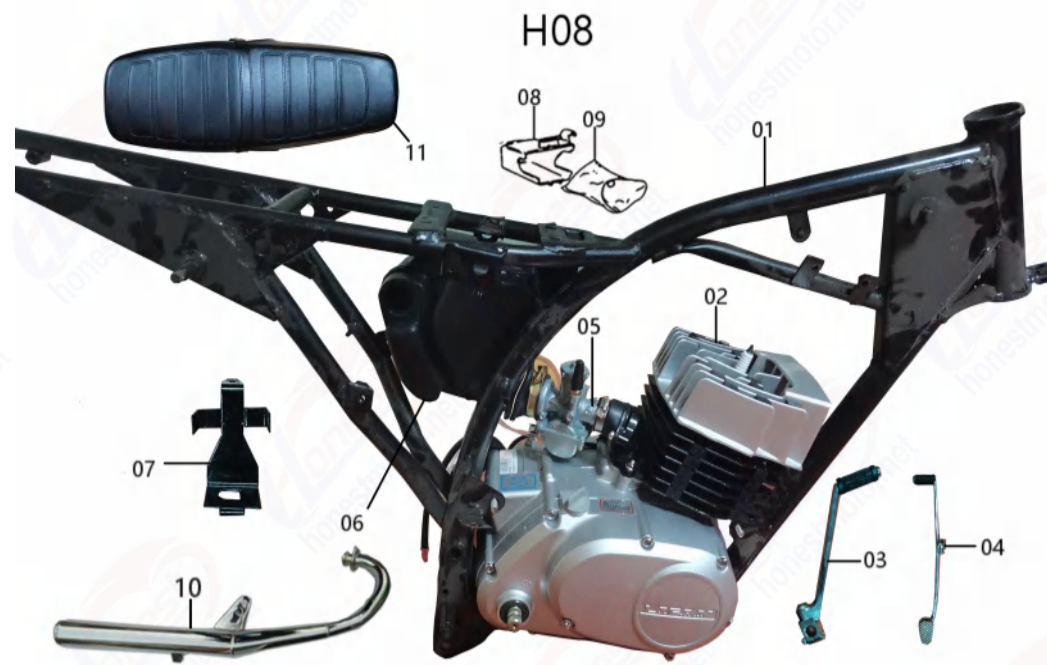
## HN100-3X挡泥板H07

## H07



REF	HONEST CODE	中文名称	DESCRIPTION	QTY/UNIT	REMARK
H07-01	H130017N0ESQT3X	前挡泥板	FR.FENDER	1	
H07-02	H120047N0ESNT3X	后挡泥板	RR.FENDER	1	
H07-03	H130057N0ESNT3X	后挡泥前段	FR.PART.FENDER	1	
H07-04	H130057N0ESVT3X	后挡泥板支架	SUPPORT,RR.FENDER	1	
H07-05	H130057N0ESFT3X	后牌照支架	LICENSE PLATE SUPPORT	1	

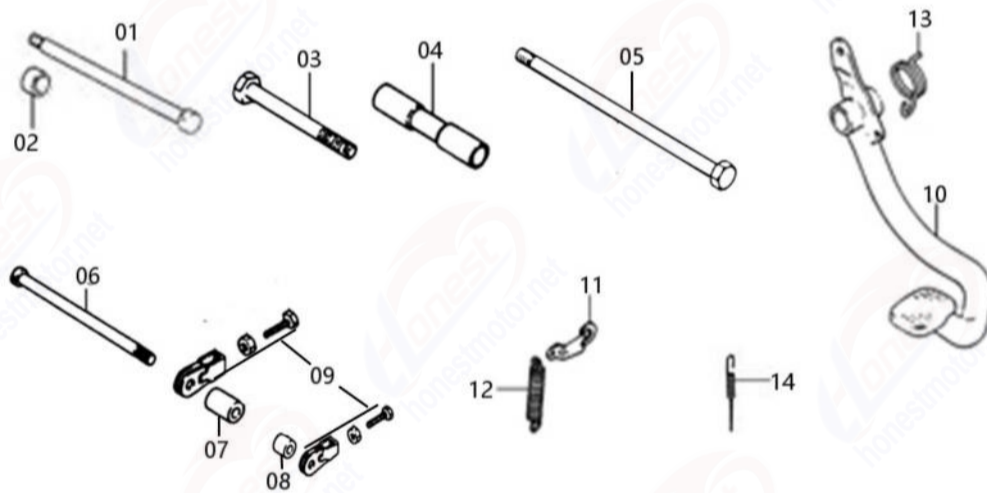
## HN100-3X车架发动机, 消音器, 座垫H08



REF	HONEST CODE	中文名称	DESCRIPTION	QTY/UNIT	REMARK
H08-01	H190038N0ESMT3X	车架	FRAME	1	
H08-02	H120048N0ESKT3X	发动机	ENGINE	1	
H08-03	H120068N0ESKT3X	启动杆	START LEVER	1	
H08-04	H140068N0ESST3X	变档杆	SHIFT LEVER	1	
H08-05	H140068N0ESCT3X	化油器	CARBURETOR	1	
H08-06	H130058N0ESJT3X	空滤器	AIR FILTER	1	
H08-07	H130078N0ESJT3X	电池支架	BATTERY BRACKET	1	
H08-08	H150078N0ESRT3X	工具箱	TOOL BOX	1	
H08-09	H150078N0ESBT3X	工具	TOOLS	1	
H08-10	H150078N0ESJT3X	消音器	MUFFLER	1	
H08-11	H150098N0ESJT3X	座垫	SEAT	1	

## HN100-3X 轴衬套, 弹簧, 刹车臂H09

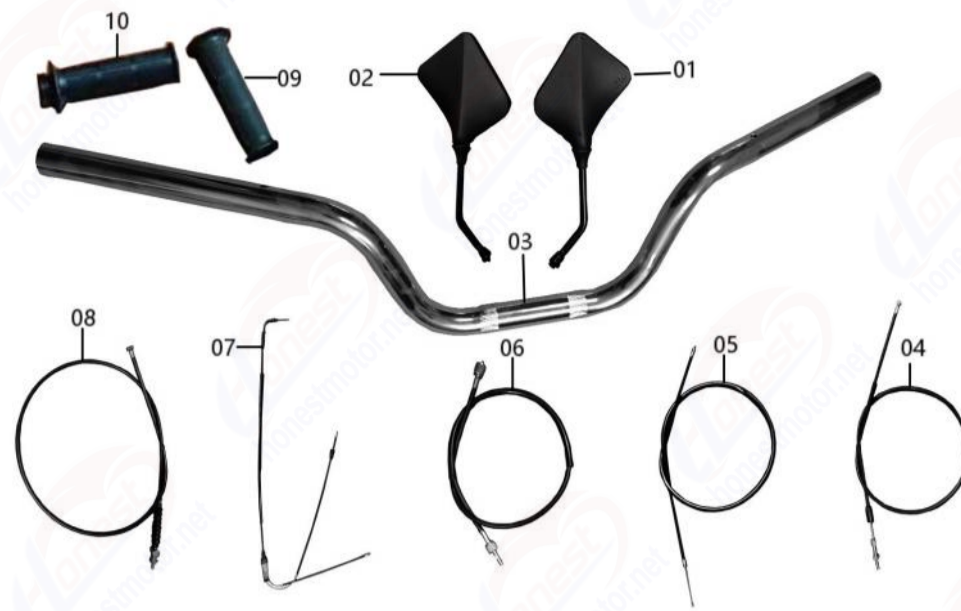
## H09



REF	HONEST CODE	中文名称	DESCRIPTION	QTY/UNIT	REMARK
H09-01	H160089N0ESKT3X	前轮轴	FF.WHEEL AXLE	1	
H09-02	H160089N0ESST3X	前轮衬套	FF.WHEEL BUSH	1	
H09-03	H170099N0ESRT3X	主支架轴	MAIN STAND AXLE	1	
H09-04	H170099N0ESBT3X	主支架轴套管	MAIN STAND AXLE BUSH	1	
H09-05	H170099N0ESJT3X	平叉轴	REAR FORK AXLE	1	
H09-06	H170099N0ESRT3X	后轮轴	RR.WHEEL AXLE	1	
H09-07	H190019N0ESRT3X	后轮右衬套	R.BUSH,REAR WHEEL	1	
H09-08	H190019N0ESBT3X	后轮左衬套	L.BUSH,REAR WHEEL	1	
H09-09	H190019N0ESJT3X	后轮调节器	REGULATOR,RR.WHEEL	2	
H09-10	H190019N0ESJT3X	后刹刹车臂	RR.BRAKE ROD	1	
H09-11	H110039N0ESQT3X	主支架簧挂板	BRACKET,MAIN STAND SPRING	1	
H09-12	H100029N0ESAT3X	主支架簧	MAIN STAND SPRING	1	
H09-13	H100029N0ESIT3X	后刹回位簧	RR.BRARKE SPRING	1	
H09-14	H100029N0ESIT3X	后刹开关簧	RR.BRAKE SWITCH SPRING	1	

## HN100-3X方向把, 拉索, 后视镜H10

H10



REF	HONEST CODE	中文名称	DESCRIPTION	QTY/UNIT	REMARK
H10-01	H1900010NESET3X	左后视镜	L.MIRROR	1	
H10-02	H1200410NESCT3X	右后视镜	R.MIRROR	1	
H10-03	H1200410NESKT3X	方向把	HANDBAR	1	
H10-04	H1200410NESRT3X	离合线	CLUTCH CABLE	1	
H10-05	H1100310NESRT3X	风门线	CHOKE CABLE	1	
H10-06	H1300510NESBT3X	里程线	SPEEDOMETER CABLE	1	
H10-07	H1300510NESJT3X	油门线	ACCELERATOR CABLE	1	
H10-08	H1300510NESRT3X	前刹车线	FR.BRAKE CABLE	1	
H10-09	H1300510NESRT3X	手把胶左	L.HANDGRIP	1	
H10-10	H1500710NESBT3X	手把胶右	R.HANDGRIP	1	